



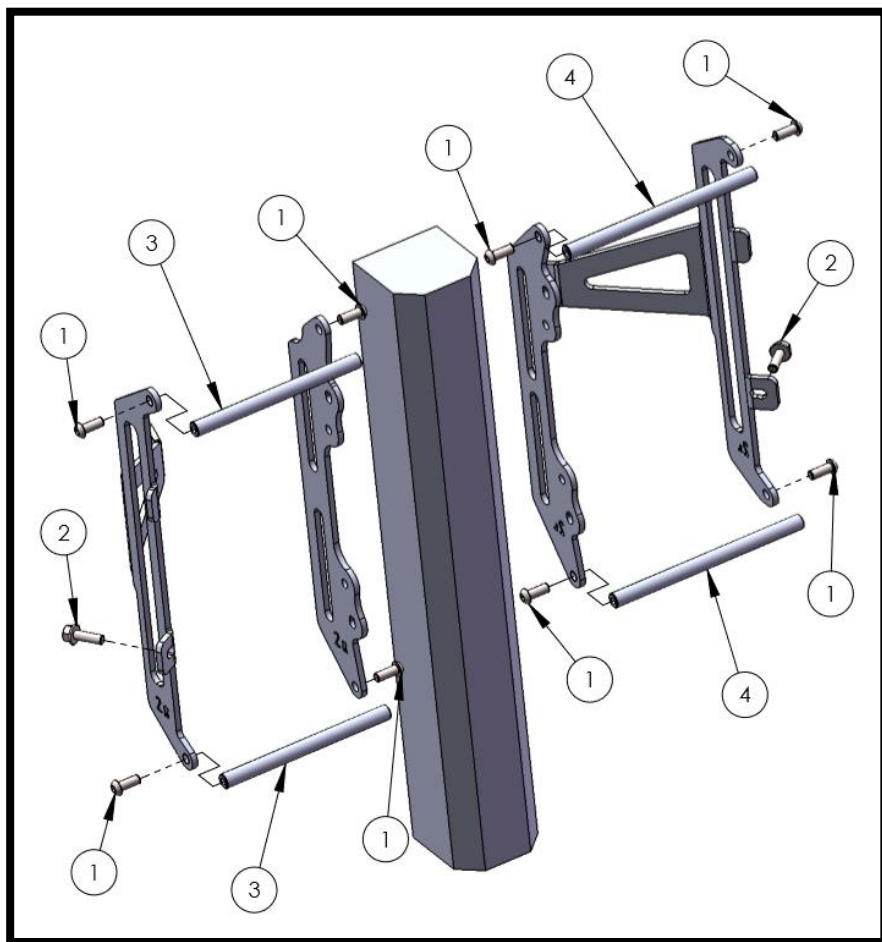
## ALUMINUM RADIATOR GUARD

*HONDA CRF 250 R 2006-2009*

Ref.: 2CP0600005

**CROSSPRO**  
PROTECTION PARTS





# ALUMINUM RADIATOR GUARD

HONDA CRF 250 R 2006-2009



4	Haste Alumínio / Aluminum Rod	145mm	2
3	Haste Alumínio / Aluminum Rod	127mm	2
2	Paraf. Cabeça Redonda Sext. Int. c. FA / Screw Round Head With Washer False	M6x20 - ISO 7380	2
1	Paraf. Cabeça Redonda Sext. Int. c. FA / Screw Round Head With Washer False	M6x12 - ISO 7380	8
<b>ITEM Nº:</b>	<b>COMPONENTE (COMPONENT):</b>	<b>DESCRIÇÃO (DESCRIPTION):</b>	<b>QUANT.:</b>
ACESSÓRIOS (ACCESSORIES)			