



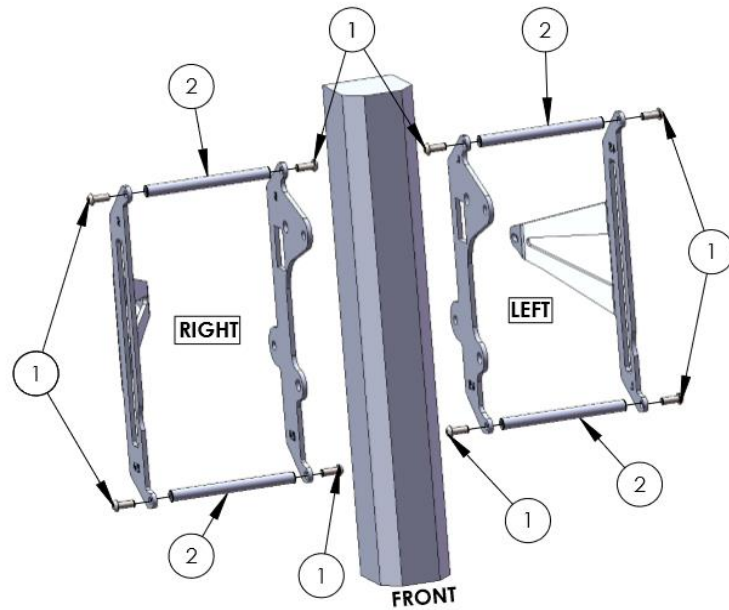
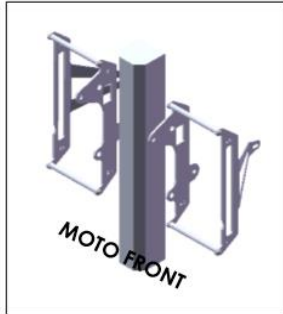
ALUMINIUM RADIATOR GUARD

HONDA CRF 450R 2009-2012

Ref.: 2CP0600049

CROSSPRO
PROTECTION PARTS





ALUMINUM RADIATOR GUARD HONDA CRF 450R 2009-2012



2	Haste Alumínio / Aluminum Rod	131mm	4
1	Paraf. Cabeça Redonda Sext. Int. c. FA / Screw Round Head With Washer False	M6x12 - ISO 7380	8
ITEM Nº:	COMPONENTE (COMPONENT):	DESCRIÇÃO (DESCRIPTION):	QUANT.:
ACESSÓRIOS (ACCESSORIES)			